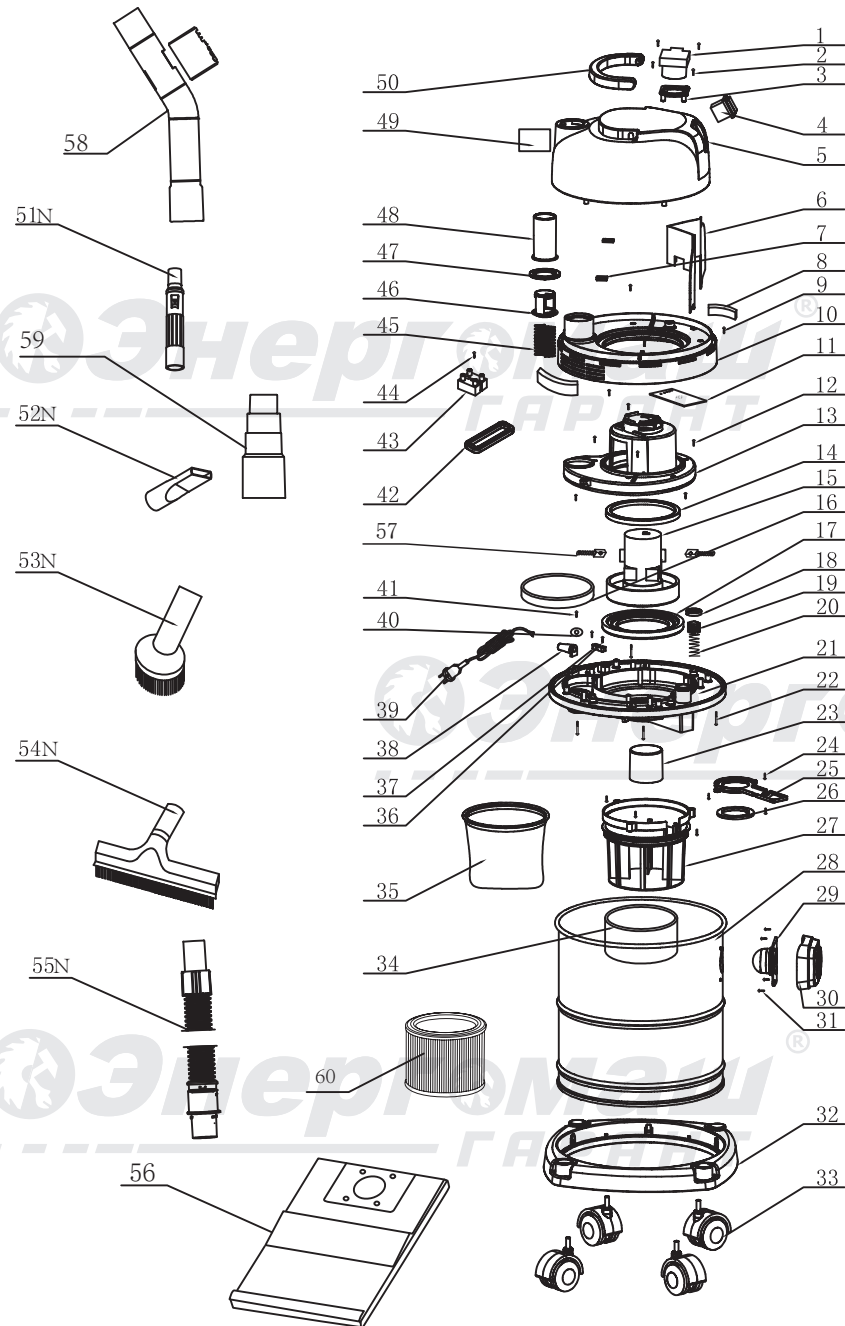


ПП1-30



NO.	DESCRIPTION	NO.	DESCRIPTION
1	WATERPROOF SOCKET	31	SCREW
2	SCREWS	32	PEDESTAL
3	SOCKET PLATE	33	SMALL WHEELS
4	SWITCH	34	FILTER SPONGE
5	TOP COVER	35	FILTER BAG
6	AIR BLOCKING BOARD	36	SCREW
7	SEAL PLATE	37	CORD CLAMP
8	AIR OUTLET SPONGE	38	CORD SLEEVE
9	SCREWS	39	POWER CORD
10	MIDDLE COVER	40	WASHER
11	PCB	41	SCREW
12	SCREW	42	RECTANGULAR INDUCTANCE
13	MOTOR HOUSE	43	TERMINAL
14	UPPER GASKET	44	SCREW
15	MOTOR	45	BLOWING SPRING
16	AIR OUTLET SPONGE	46	BLOWING TUBE
17	DOWN GASKET	47	SEAL RING
18	VALVE COVER	48	BLOWING MOUTH
19	VALVE CORE	49	LABEL
20	SPRING	50	HANDLE
21	BARREL CAP	51N	TUBE
22	SCREW	52N	CREVICE NOZZLE
23	PROTECTIVE VALVE	53N	ROUND BRUSH
24	SCREW	54N	BIBULOUS FLOOR BRUSH
25	AIR INLET MOUTH	55N	HOSE ASSEMBLE
26	SEAL	56	PAPER OR CLOTH FILTER
27	PEDESTAL BASKET	57	CARBON BRUSH
28	STAINLESS STEEL BARREL	58	CONNECTION HEAD
29	SUCKER MOUTH	59	DUST TUBE CONNECTION
30	SUCKER PLATE	60	HEPA FILTER

PP1-30-EX-20200921